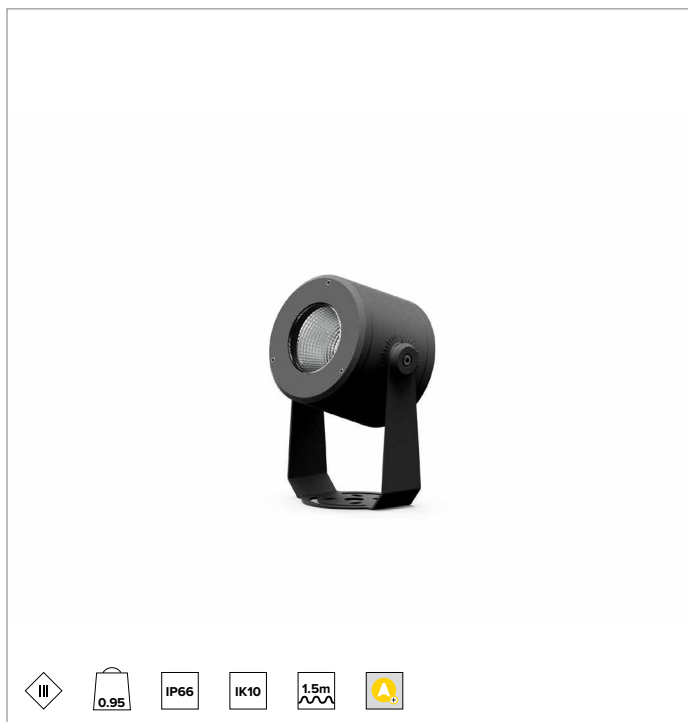
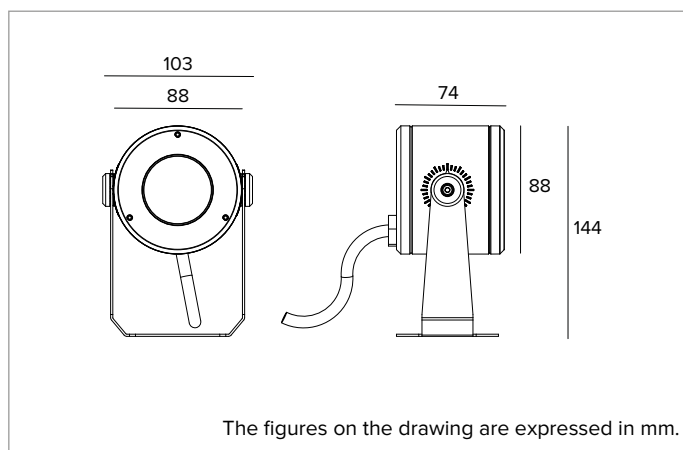


## 1E3966 | DART Round Small

### Professional adjustable LED projector



	3000K	H(m)	D(m)	E <sub>max</sub> (lx)
	Ra80		5°	
Fixture Power	2W	1	0.09	10538
Source Flux	230lm	2	0.18	2635
Fixture Flux	162lm	3	0.27	1171
Efficacy	77lm/W	4	0.36	659
TS1657	I <sub>max</sub> =45818cd/klm	I <sub>max</sub>	10538cd	5
			0.45	422



#### SOURCE

Light module with high power and high efficiency Ra80 LED sources. Ra90 version available on request.

**Energy efficiency class:** E

**Nominal power:** 2,1W

**Nominal flux:** 230lm

**Colour rendering index:** 80

**Rf:** 85

**Rg:** 96

**CCT nominal:** 3000K

**Lifetime (L80/B10):** >50000h tq +25°C

#### ILLUMINOTECHNICAL CHARACTERISTICS

NSP version: precision methacrylate lens and spreader filter.

**Optic:** LENS

**Beam angles:** NSP

**Optical efficiency:** 71%

**Fixture flux:** 162lm

**Luminous efficacy:** 77lm/W

**Photobiological safety:** Compliant with RG1 low risk group

#### MECHANICAL CHARACTERISTICS

Painted die-cast anodised aluminium body and painted stainless steel mounting bracket. Tempered extra clear front glass.

**Colour and finish:** Ferrite

**Weight:** 0.95Kg

**Degree of protection:** IP66

**Mechanical Resistance:** IK10

#### ELECTRICAL CHARACTERISTICS

Version with optional power supply available with electronic ON-OFF or dimmable DALI driver kit with 700mA. Precabled with a 1.5m long feeding cable H07RN-F.

**Fixture Power:** 2W

**Power supply:** 700mA

**Insulation Class:** CLASS 3

**Driver included:** NO

**Ambient temperature:** -25°C / +35°C

#### INSTALLATION

Mounting bracket with aiming adjustability. Adjustable up to ±60° on the horizontal pane and +90°/-45° on the vertical plane.

#### NOTES

Casambi control system available via accessory (only for products with DALI driver). Uses the "Waterblock Smart" technical solution that involves resin coating the connection cables, limiting the risk of humidity reaching the driver or the fixture. It is possible to subject the product to Cataphoresis treatment on request. 110-277Vac version available on request. Remote driver version: values related to the power consumption of the fixture do not take into account the consumption of the accessory driver, which depends on the choice of driver. Commissioning of the control system via free APP; the intervention of a specialist technician can be quoted on request.

#### WARRANTY

5 years.

#### WARNING

Luminaire designed for disposal/recycling at end-of-life. Replaceable (LED only) light source by a professional.

Due to the technological evolution of the electronic components, the data provided may be updated, and as such, confirmation must be requested during the order process.

Luminous flux and power supply have +/-10% tolerances with respect to the indicated value. tq +25°C (CIE 121).

We reserve the right to make technical changes.

Targetti Sankey S.r.l.  
Via Pratese, 164  
50145 Firenze - Italy  
Tel: +39 055 37911  
targetti.com  
targetti@targetti.com

CCIAA Firenze  
Share Capital:  
€ 500.000,00  
VAT N. (IT):  
01537660480  
R.E.A: FI-275656

**TARGETTI**

# 1E3966 | DART Round Small

## Professional adjustable LED projector

### Related codes

#### Power Supply

Dimensions LxHxP mm	Power	Power supply	Output current	IP	Code
146x22x44	max 31W	220-240Vac	700mA	IP20	<b>1T9637EL</b>
122x26x54	15W 17W	110-240Vac 220-240Vac	700mA	IP68	<b>1E4239EL</b>

Electronic ON-OFF power supply.

Dimensions LxHxP mm	Power	Power supply	Output current	IP	Code
146x30x44	max 38W	220-240Vac	700mA	IP20	<b>1T9637DA</b>
122x26x54	15W 30W	110-240Vac 220-240Vac	700mA	IP68	<b>1E4239DA</b>

DALI power supply.

### Accessories

#### Filter



Colour Code

● **1E4002**

Blade of light filter.  
PMMA holographic filter for a blade of light effect.  
Completed with powder coated aluminum alloy holder ring.

#### Grid



Colour Code

● **1E4005**

Anti-glare louver.  
The central elements can be adjusted +/- 60° for a perfect glare control.  
Powder coated stainless steel.

#### Screen



Colour Code

● **1E4003**

Asymmetric screen.  
Powder coated stainless steel.



Colour Code

● **1E4004**

Cylindrical screen.  
Powder coated stainless steel.  
Short version.



Colour Code

● **1E4057**

Cylindrical screen.  
Powder coated stainless steel.  
Long version.

*Due to the technological evolution of the electronic components, the data provided may be updated, and as such, confirmation must be requested during the order process.*  
*Luminous flux and power supply have +/-10% tolerances with respect to the indicated value. tq +25°C (CIE 121).*

We reserve the right to make technical changes.

Targetti Sankey S.r.l.  
Via Pratese, 164  
50145 Firenze - Italy  
Tel: +39 055 37911  
targetti.com  
targetti@targetti.com

CCIAA Firenze  
Share Capital:  
€ 500.000,00  
VAT N. (IT):  
01537660480  
R.E.A.: FI-275656

# TARGETTI

# 1E3966 | DART Round Small Professional adjustable LED projector

## Mounting System



Colour	Code
	<b>1E3015</b>

Plate for fixture rotation.  
Powder coated stainless steel.



Dimensions ØxH mm	Colour	Code
70x182		<b>1E3016</b>

Earthspike.  
Powder coated stainless steel.

## Connector



Code

**1E2493**

Linear connection box IP68.  
4 poles max. wire section 2.5mm<sup>2</sup>.  
Cable diameter range from 7 to 12mm.

## Control systems



Code

**1E3048**

IP67 wireless control unit with DALI interface.  
It generates a local DALI2 bus, enabling a direct connection to a DALI interface LED driver.  
The module can only be used in a closed system and cannot be connected to an existing DALI network.  
The module is wireless controlled using a Casambi app for smartphones and tablets using Bluetooth 5.0 technology.  
The devices automatically create an adaptive, robust, and reliable wireless mesh network, allowing for the easy and efficient management of a high number of fixtures.  
The control unit is preset to the DALI 1CH profile, meaning the device can control a single DALI driver with broadcast commands.  
In addition to the DALI broadcast, other operating modes are available, such as:

- Button (normally open)
- Control unit 0/1-10V
- Control unit DALI Tunable White DT8
- Presence sensor



Code

**1E4369**

IP67 Extender for wireless control of LED driver with dimming DALI interface based on Casambi technology.  
It has a DALI2 output with the capacity to control up to 40 lighting fixtures.  
With the addition of a further external BUS DALI power supply it is possible to control up to 64 fixtures.  
IP67 Extender is preset to the DALI broadcast profile, meaning all the luminaires connected to it are dimmable at the same level.  
In addition to the DALI broadcast other operating modes are available, such as:

- EXTENDER DALI 8CH
- EXTENDER DALI Tunable White
- EXTENDER DALI 4CH
- EXTENDER DALI DT8 Tunable White

Due to the technological evolution of the electronic components, the data provided may be updated, and as such, confirmation must be requested during the order process.  
Luminous flux and power supply have +/-10% tolerances with respect to the indicated value. tq +25°C (CIE 121).

We reserve the right to make technical changes.

Targetti Sankey S.r.l.  
Via Pratese, 164  
50145 Firenze - Italy  
Tel: +39 055 37911  
targetti.com  
targetti@targetti.com

CCIAA Firenze  
Share Capital:  
€ 500.000,00  
VAT N. (IT):  
01537660480  
R.E.A: FI-275656

**TARGETTI**